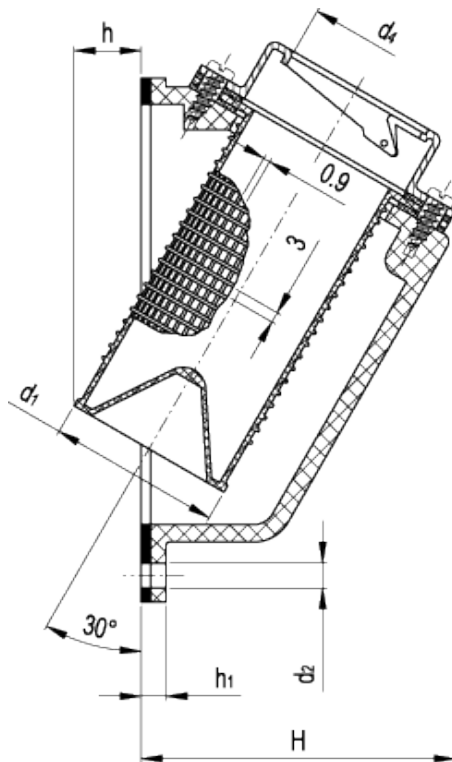


PLRB+C

Side mount
for bayonet cap



ELESA Original design



technical informations

Mount

Polyamide based (PA) technopolymer with NBR synthetic rubber gasket. Resistant to solvents, oils, greases and other chemical agents.

Flange

Zinc-plated steel with flat gasket in cork impregnated MGS based rubber.

Basket

Polypropylene based (PP) technopolymer. Resistant to solvents, oils, greases and other chemical agents.

Colour

Black, matte finish.

Assembly

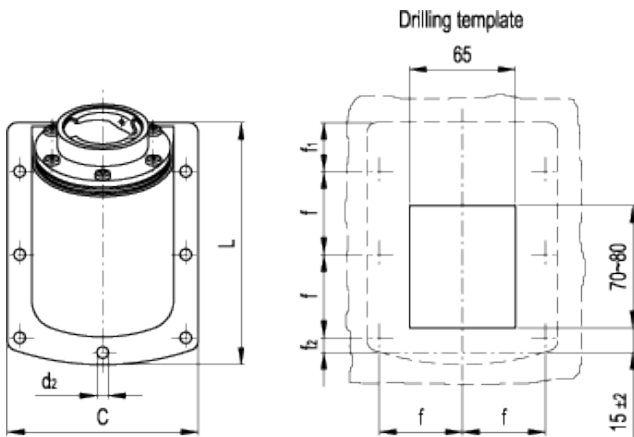
- Flange and basket are fitted to the mount by means of six zinc-plated steel self-tapping screws TC-N10 (Ø 4.8x19) UNI 6951-DIN 7971, included in the supply.
- The mount is fitted to the reservoir by means of seven M6 screws and relative washers (not included).
Maximum torque recommended: 4 Nm.

Special executions on request (For sufficient quantities)

Side mount bayonet style flange without basket (execution PLRB).

Note

The breather cap to be coupled to the flange is not included.
Breather caps type [SFN](#), [SFP](#), [SFW](#) can be used depending on customer's requirements.



Standard Elements		Main dimensions										Weight	
Code	Description	d ₄	L	C	H	d ₁	d ₂	h	h ₁	f	f ₁	f ₂	g
49401	PLRB+C	39	148.5	117	90	49	7	18	7	51	30	9	355

This product had the following design awards:





ELESA and GANTER models all rights reserved in accordance with the law. Always mention the source when reproducing our drawings.

STANDARD MACHINE ELEMENTS WORLDWIDE